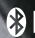


Jabra BT 125

Compact
and functional
design

Easy to pair
and operate

Weights
only 14 grams

 Bluetooth®



Features and Specifications

Weights 14 g

L51 mm x W24 mm x D21 mm

Light indicator (LED) for status on Bluetooth, battery and charging

Up to 8 hours talk time and up to 170 hours standby time*

Answer/end call

Voice dialing*

Reject a call*

Put a call on hold*

Call waiting*

Last number redial*

Bluetooth 2.0 supporting headset and hands-free profile

* Phone dependent

M04_BT125_60_08/06

Freedom, Design and Innovation from Denmark.

Customer Support Toll Free Phone (Monday to Friday except public holidays)

Australia:	1-800-083-140	10:00 - 19:00	Eastern time
China:	800-858-0789	8:00 - 19:00	
Hong Kong:	800-968-265	8:00 - 17:00	
Indonesia:	001-803-852-7664	7:00 - 16:00	
India:	000-800-852-1185 (ISD only)	05:30 - 14:30	
Japan:	0034-800-400-594	9:00 - 18:00	
Malaysia:	1800-812-160	8:00 - 17:00	
New Zealand:	0800-447-982	12:00 - 21:00	
Philippines:	1-800-1-855-0034	8:00 - 17:00	
Singapore:	800-860-0019	8:00 - 17:00	
Taiwan:	0080-186-3013	8:00 - 19:00	

Bluetooth® headset

RELEASE YOUR JABRA

Jabra

© 2006 Jabra, GN Netcom A/S. All rights reserved. Jabra® is a registered trademark of GN Netcom A/S. All other trademarks included herein are the property of their respective owners. The Bluetooth® word mark and logos are owned by the Bluetooth SIG, Inc. and any use of such marks by GN Netcom A/S is under license. (Design and specifications subject to change without notice)

www.jabra.com



Jabra BT125

Get more done. Talk hands-free.

Keep your hands free

Jabra now introduces the Jabra BT125 – a discreet wireless headset for Bluetooth mobile phones. The headset lets you get on with your talking and keep both hands free for whatever else you need them for.

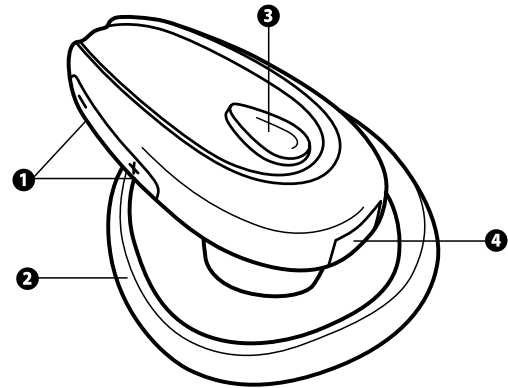
Keep on moving

The Jabra BT125 is the ideal accessory when multi-tasking is the order of the day. You can get on with your jobs and make and take your phone-calls without losing the use of one all-important hand! And when you're in the car, tackling town with a toddler at your side, or even just making a cup of coffee or ironing your shirt – you can keep on talking without compromising on safety.

Making it simpler

The Jabra BT125 is so light and comfortable that you'll hardly notice you're wearing it. And its design is so functional, you'll rarely ever have to touch your mobile phone. What's more, it couldn't be easier to pair and operate (see quick start guide).

Take life in both hands. Release your Jabra.



1

Volume adjustment
Turn up or turn down the volume without accessing your mobile phone

2

Adjustable contoured earhook
Wear over either ear for maximum comfort

3

Light indicator (LED)/Answer/end button
Shows status on Bluetooth, battery and charging

4

Charging socket
Easy charging with AC power supply provided